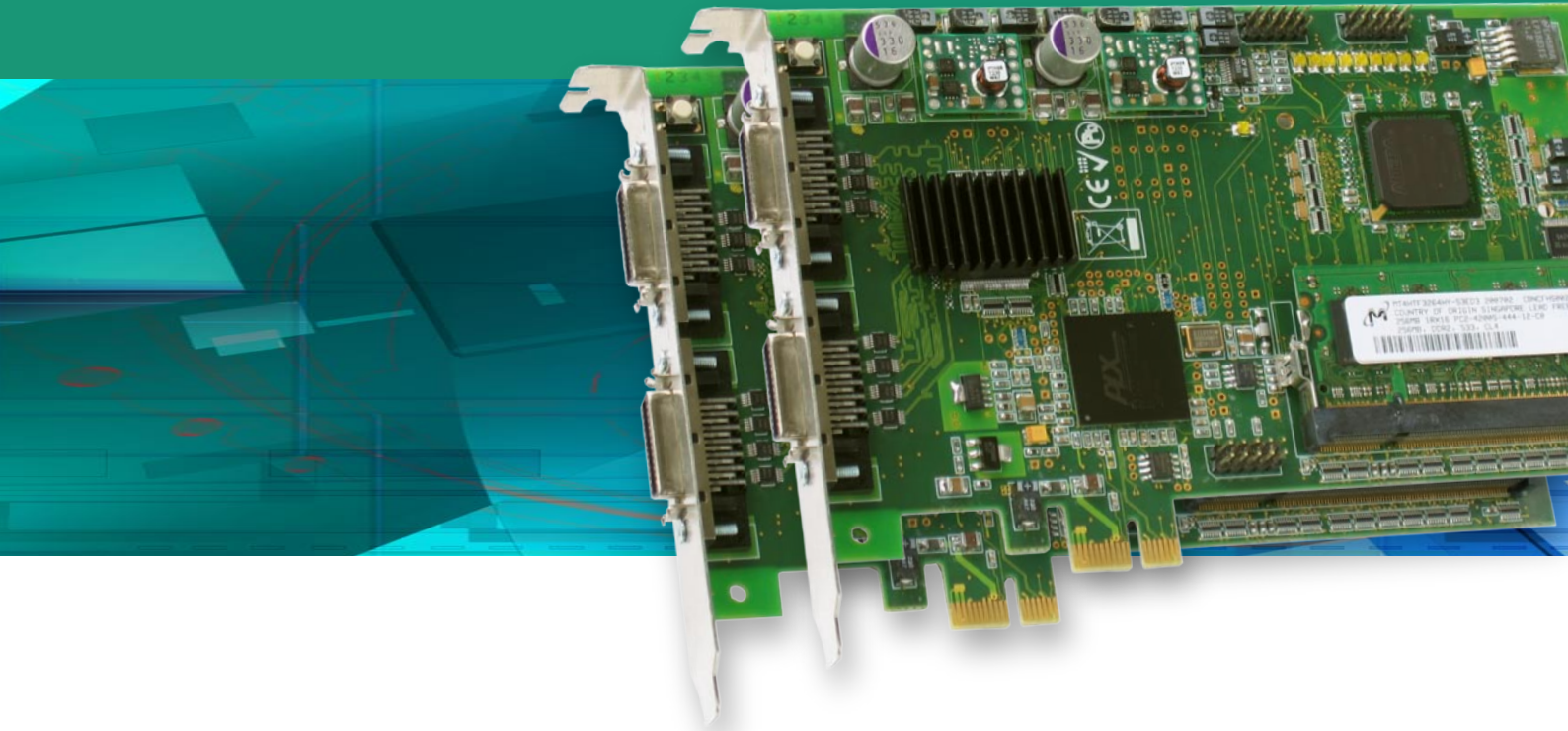


UFG-04 LVDS Quad

four channel LVDS capture



Two Cards, Four Channels

Two synchronized UFG-04 LVDS cards enable the capture of four channel LVDS (Quad LVDS) sources. The synchronization makes sure that the Master and the Slave card are capturing portions of the same input frame. The provided software will combine the portions together to combine a full quad frame for viewing and storage. The maximum capturing speed in four channel LVDS mode is 540 Mpix/s enabling the capture of e.g. 1080p @ 120 Hz input.

UFG-04 LVDS frame grabber enables the capture of high resolution LVDS video with the full 10 bits per color depth. The on-board frame buffer enables the capture of frame-to-frame video clips regardless of the PC bus bottlenecks.

Optimal for Testing Video Interfacing

UFG-04 LVDS is an optimal tool for testing the fidelity of display input electronics. The capture card replaces the actual flat panel display for testing. The flexible design of the internal data handling enables custom data input configurations and advanced on-board image functions.

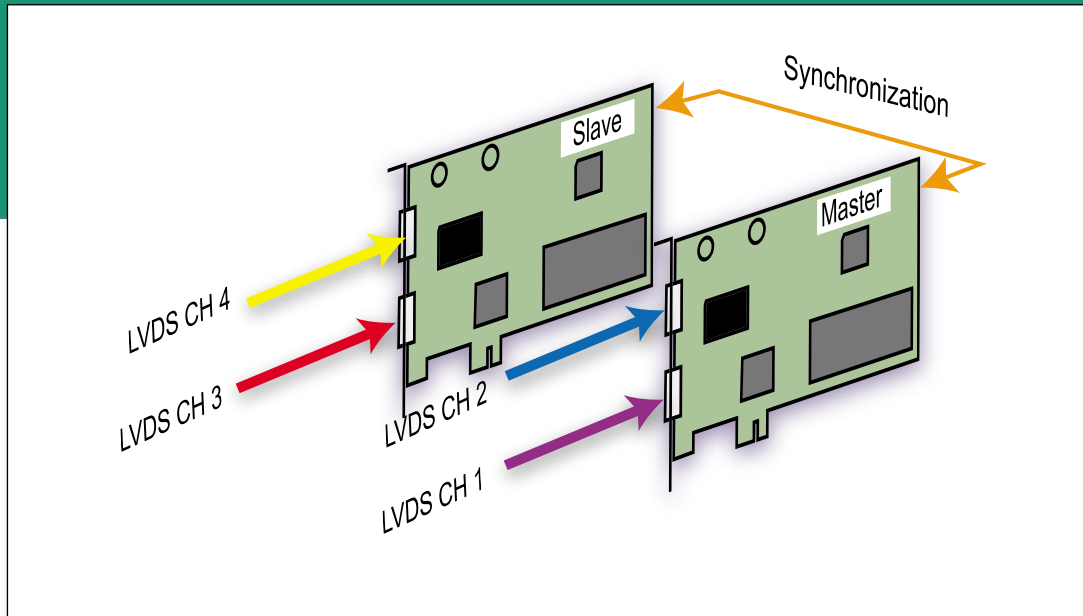
Benefits

- Captures images from High Definition LVDS sources
- 1080p @120Hz capture
- 10 bits per color color
- Two synchronized PCIe cards
- Up to 1000 continuous 1080p frames

UFG-04 LVDS Quad

four channel LVDS capture

05/2011



Video Interface Test

Test the output quality of your video input board within seconds. Measure each of the millions of pixels reliably every time. Analyze any test images with the accuracy that your quality criteria demands. Review each individual result in detail and include the long term trends into your quality reports.

Unigraf's unique Video Input Board Test System consists of a Unigraf VTG video pattern source and a Unigraf UFG video frame grabber. The combination provides flexible tools for creation of test functions and sequences to meet your video board testing needs. For more information, contact your local representative or send us an email at info@unigraf.fi.

Specifications

Configuration	2 UFG-04 LVDS boards
Inputs	2 x MDR-26 DISM 1.0 / board Dual FPD-Link Receiver (DS90C3202)
Pixel Frequency	
Single pixel	135 Mpix/s max
Dual pixel	270 Mpix/s max
Quad pixel	540 Mpix/s max
Input Pixel Depth	6, 8 or 10 bits per color
Frame Buffer	2 or 4 GBytes / board
Data Interface	PCI Express 1 lane / board.
Operating Systems	Windows® XP or Windows® 7
SW Interface	API with full functionality to configure the board and capture video, audio, metadata and link status. Multi-board Support
Module Size	2 x 107 x 168 mm
Power Consumption	2 x 12 V: 7.5 W max; 3.3 V: 1.7 W max



www.unigraf.fi

UNIGRAF OY Ruukintie 3, FI-02330 Espoo, Finland
Tel +358 9 859 550, fax +358 9 802 6699

Please visit www.unigraf.fi for listing of Unigraf Worldwide Distribution