

UFG-12 MC

multi input capture board
with hardware compression



Video and Audio Capture

UFG-12 Series is a modern PCIe bus based frame grabber family that captures both video and audio. UFG-12 family is compatible with standard DirectShow and V4L2 applications and the included SDK enables easy integration with customer own program in Windows or Linux environment. The efficient PCIe bus enables the high data throughput needed to capture crystal clear high resolution video. Application areas for the UFG-12 Series can be found in medical, industrial, multimedia or in maritime environment.

Multitude of Inputs

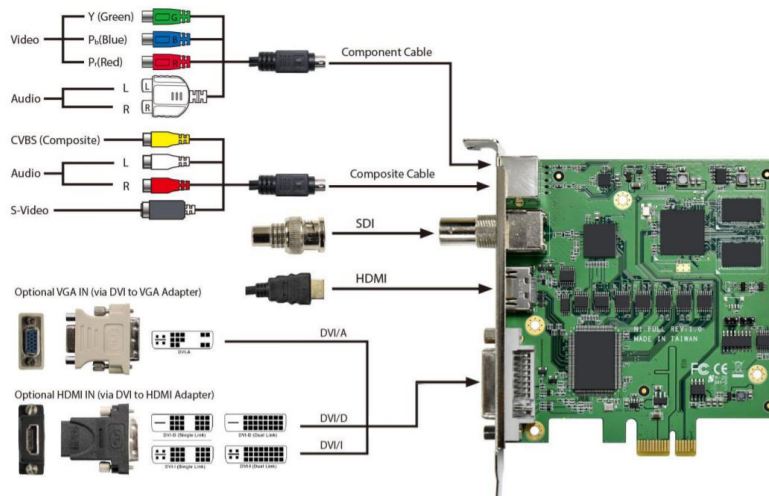
UFG-12 MC frame grabber features on-board hardware compression for lowering the host CPU loading. It provides both input video and audio in a H.264 compressed stream for the capture application. The versatility makes UFG-12 MC an optimal choice for e.g. a Medical, Industrial or Presentation Media storage PC.

Features

- On-board H.264 compression
- 7 Video and 4 audio inputs conveniently in one board
- 1920x1080 Full HD at 60/50 fps
- HDMI and SDI embedded audio and L/R external audio
- DirectShow for Windows and V4L2 for Linux
- SDK for easy integration

UFG-12 MC

multi input capture board with hardware compression



Unigraf UFG-12 Series

UFG-12 Series is modern all-in-one capture board family. It features five family members. The family features all popular interfaces from RGB to HDMI and SDI. They can be used with either Windows and DirectShow or Linux and V4L2.

Five Family Members

The two models with a combination of five video and three audio inputs are optimal for media concentrators. **UFG-12 M** is for applications that need RAW capture and **UFG-12 MC** for applications gaining of HW compression.

The other three family members are **UFG-12 4H** with four parallel HDMI inputs, **UFG-12 2S** with two parallel SDI input and **UFG-12 HDMI 4K** with one HDMI 2.0 input.

Reputation is a Reliable Choice

Unigraf's wide selection of frame grabber boards have gained their reputation in applications where the quality and reliability cannot be compromised. The same expectations apply also to Unigraf's whole operation from design to customer support.

Specifications

Inputs	DVI and RGB on DVI-I connector HDMI on HDMI (A) connector SDI on BNC connector YPbPr, CVBS, S-video and Line In Audio with supplied extension cable
Input Resolution	720x576i50 to 1920x1080p60
Recording format	H.264 (Main Profile)
Resolutions	Automatically detect common CEA and VESA modes
Audio	Embedded audio: LPCM, 2 channels, 16 bits, 32 to 48 kHz Line In: RCA L / R inputs
SW Interface	64 / 32 bit drivers Windows / Direct Show and Linux / V4L2 compatible SDK / API for VC++, .NET, VB
Bus Interface	PCIe x4
Operating Systems	Windows® 10, 8, 7, Vista or XP (64/32) Linux 2.6.14 or higher
Module Size	93 x 101 mm

All specifications subject to change without notice.



www.unigraf.fi

UNIGRAF OY Piispantilankuja 4, FI-02240 Espoo, Finland
Tel +358 9 859 550, info@unigraf.fi

Please visit www.unigraf.fi for listing of Unigraf Worldwide Distribution